

EPI F3030L Series

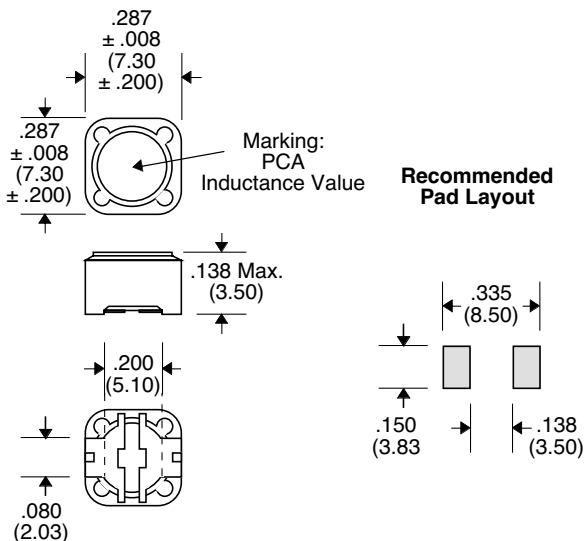


- Used in PDA's, Cell Phones, Digital Cameras, MP3 Players, Low Power CPU & DSP Supply and Organizers
- Used as an Inductor in TI TPS6205X, TPS6110X and TPS6112X Series Applications
- Low loss material ensures operation in high frequency switching converters, such as Buck, Boost or as output averaging filter inductor

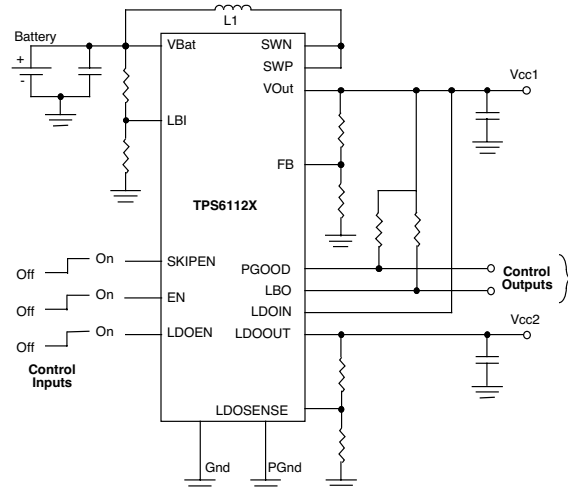
Primary Specification

Part Number	Induct. ($\mu\text{H} \pm 20\%$ @ 0 Adc)	DCR (Ω Max.)	Idc (Amp)	Isat (Amp)
EPI100162F3030L	10	.072	1.68	2.10
EPI120152F3030L	12	.098	1.52	1.90
EPI150132F3030L	15	.130	1.33	1.66
EPI180122F3030L	18	.140	1.20	1.50
EPI220102F3030L	22	.190	1.07	1.33
EPI330911F3030L	33	.240	0.91	1.13
EPI390771F3030L	39	.320	0.77	0.96
EPI470761F3030L	47	.360	0.76	0.95
EPI560681F3030L	56	.470	0.68	0.85
EPI680611F3030L	68	.520	0.61	0.76
EPI820571F3030L	82	.690	0.57	0.71
EPI101501F3030L	100	.790	0.50	0.62
EPI121491F3030L	120	.890	0.49	0.61
EPI151431F3030L	150	1.27	0.43	0.53
EPI221351F3030L	220	1.65	0.35	0.43
EPI331281F3030L	330	2.62	0.28	0.35
EPI471241F3030L	470	4.18	0.24	0.30
EPI561221F3030L	560	4.67	0.22	0.27
EPI681191F3030L	680	5.73	0.19	0.23
EPI821181F3030L	820	6.54	0.18	0.22
EPI102161F3030L	1000	9.44	0.16	0.20

Package F3030L



Application



Note :

1. Temperature Rise : 40°C Max. @ Idc
2. Inductance Change at Idc : 20% Typ.
3. Inductance Change at Isat: 35% Approximate.

Unless Otherwise Specified Dimensions are in Inches /mm ± .010 / .25